

1000Vdc String Inverter

Three-phase On-grid String Inverter

SPI50K-BHV/SPI60K-BHV



Product Features

High efficient

- Tri-level circuit topology, maximum conversion efficiency 98.8%
- Multi-MPPT design, strong complex installation environment adaptability
- 45°C 1.1 times the long-term overload

Safe and reliable

- Outdoor NEMA 4X design, no derating below 3000m altitude
- IP68 intelligent fan, low temperature rise, long life
- PID protective function, avoid electrical shock

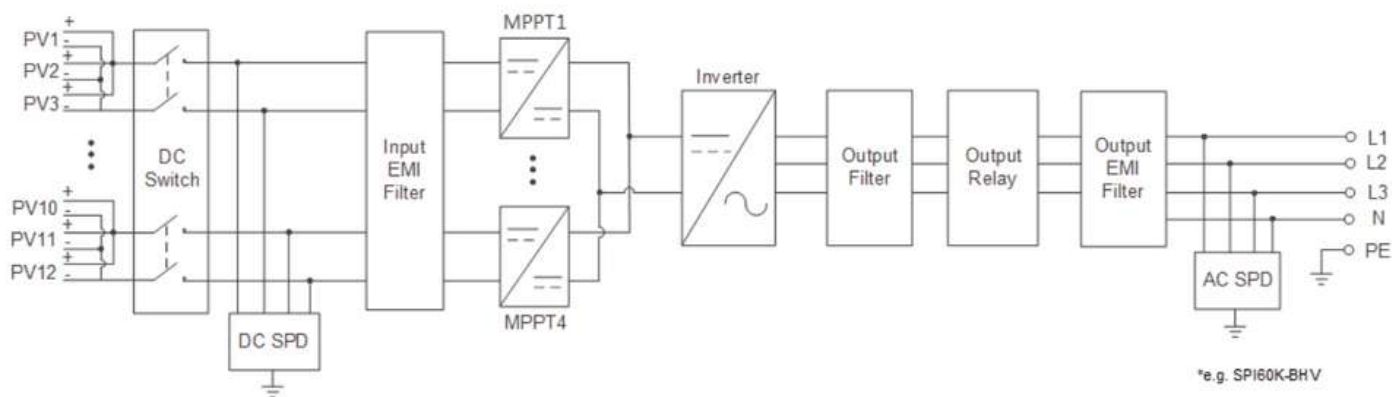
Intelligent management

- Intelligent fault wave recording, quick failure analysis
- I&V Intelligent diagnosis, accurate identification and positioning of abnormal PV panels
- Intelligent online upgrade function, easy upgrade and maintain
- Support RS485, PLC and other communication

Grid friendly

- Grid-connected current harmonics <3%, green adapts to grid
- Ultra wide grid voltage range, with H/LVRT function

Function Diagram



Technical Specification

Items	SPI50K-BHV	SPI60K-BHV
DC Input		
Max. PV input voltage	1100Vdc	
Rated PV voltage	710Vdc	740Vdc
Max. PV input current	100A	120A
No. of MPPTs	4	
No.of PV strings per MPPT	3/3/3/3	
MPPT voltage range	300~950V	
Starting voltage	350Vdc	
AC Output		
Rated AC output power	50kW	60kW
Max. output power	55kW	66kW
Rated AC output voltage	480Vac	
Rated output current	60.1A	66A
Max. output current	66.2A	79A
Rated grid frequency	50Hz/60Hz	
Grid frequency range	45~55Hz/55~65Hz	
Power factor	>0.99 (full load)	
Adjustable power factor	0.8 (leading)~0.8 (lagging)	
THDi	<3% (rated power)	
Efficiency		
Max. efficiency	99.00%	
CEC efficiency	98.49%	
Protection		
Anti-islanding	Yes	
DC reversed connection	Yes	
AC short circuit protection	Yes	
Temperature protection	Yes	
Surge protection	Yes	
PV fault detect	Yes	
DC switch	Yes	
General		
Dimensions (W×H×D)	600×1000×273mm	
Weight	75kg	
IP grade	NEMA 4X	
Noise level	<65dB	
Self-consumption at night	<1W	
Cooling type	Intelligent forced air cooling	
Altitude	3000m (>3000m derating)	
Operating temperature	-25°C~60°C (>45°C derating)	
Relative humidity	0~100%	
Display	LCD+LED	
Communication	Ethernet/RS485/WIF (optional) I/GPRS (optional)	
DC terminal	H4 Terminal	
AC terminal	OT Terminal	
Installation method	Wall-mounted	
Standard	UL1741:2010, IEEE 1547:2003, IEEE 1547A:2014 IEEE 1547.1:2005 UL1699B, UL 62109-1, CAS C22.2#107.1:2016	

- Specifications are subject to change without prior notice.

SENSKON TECHNOLOGIES

ADD: J 5 J EXTENSION PART II STREET I2 LAXMI NAGAR DELHI 92, INDIA

TEL: +91-1171860858/+91-9355150251

WWW.SENSKON.COM

